

BRIDGE HANDLES 2008



BOTECO®

ALL PURPOSE HANDGRIPS

ART. B224 AE

SELF-EXTINGUISHING VO FIXED HANDLE WITH THROUGH-HOLE

UL94-V0

MATERIAL:

Self-extinguishing reinforced polyamide UL94-V0 with yellow card. Oils and greases resistant.

SURFACE:

Satin.

COLOUR:

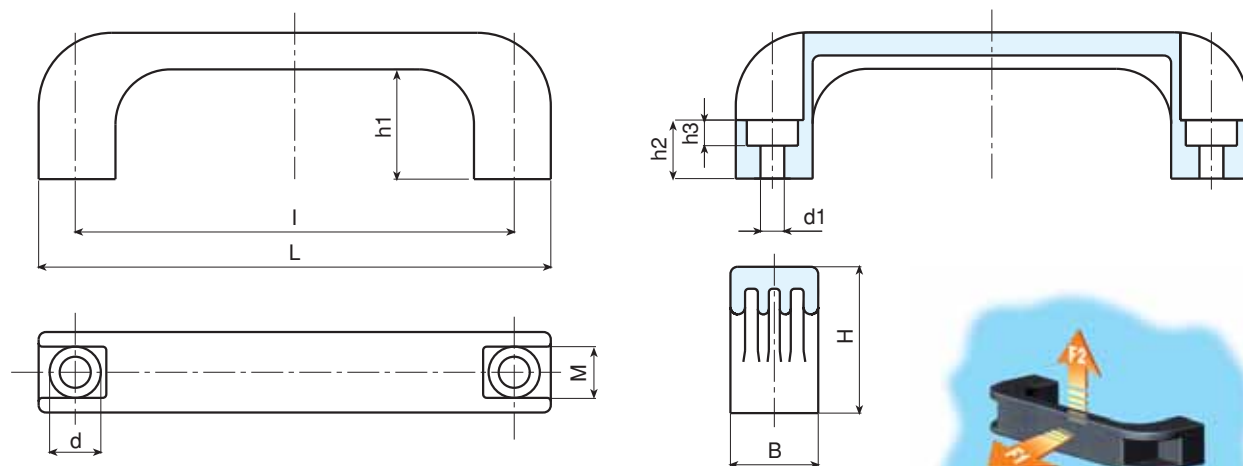
Black (RAL 9011).

HOLE:

Smooth right through hole obtained by moulding the plastic.

SPECIAL REQUESTS:

- It is possible to supply colours as shown in the table at page 19, on request and for quantities.



Art.	L	I	B	M	H	h1	h2	h3	d	d1	Weight (gr)	F1 (N)	F2 (N)
B224094.TG06.501AE	110	94	21	13	37	29	13	7	11	6,5	22	2500	1250
B224117.TG06.501AE	140	117	24	13	40	29	15	7	14	6,5	43	4400	3000
B224117.TG08.501AE	140	117	24	13	40	29	15	9	14	8,5	39	4400	3000
B224120.TG06.501AE	140	120	24	14	40	29	15	7	14	6,5	42	4800	3200
B224120.TG08.501AE	140	120	24	14	40	29	15	9	14	8,5	39	4800	3200
B224132.TG08.501AE	151	132	26	14	43	31	16	9	14	8,5	63	3400	3200
B224180.TG08.501AE	200	180	28	17	51	39	21	9	14,5	8,5	74	4000	3000
B224235.TG10.501AE	262	235	32	20	53	40	21	11	17	10,5	123	3800	3000



BOTECA

ART. B226 AE

SELF-EXTINGUISHING VO FIXED HANDLE WITH THREADED INSERT

UL94-V0

MATERIAL:

Self-extinguishing reinforced polyamide UL94-V0 with yellow card. Oils and greases resistant.

SURFACE:

Satin.

COLOUR:

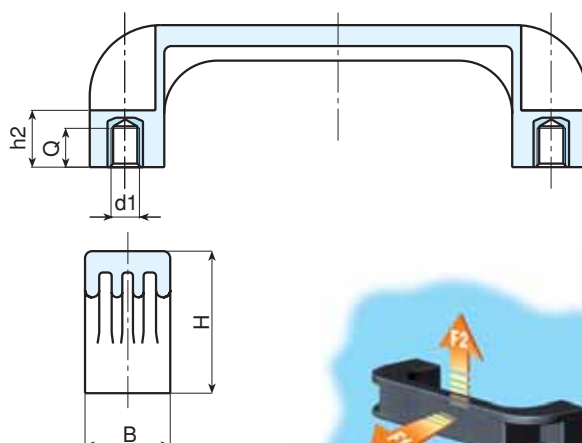
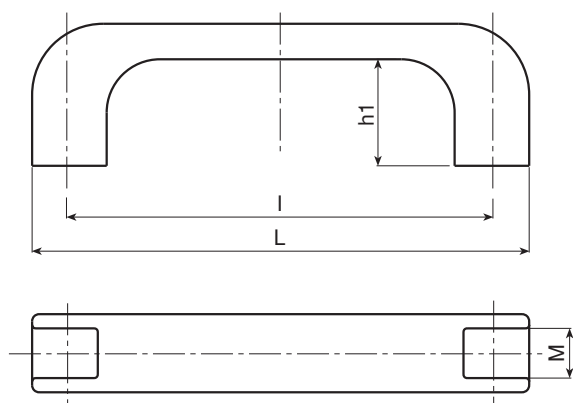
Black (RAL 9011).

MAIN INSERT:

Brass blind threaded bush.

SPECIAL REQUESTS:

- It is possible to supply the inserts in different materials, on request and for quantities.
- It is possible to supply colours as shown in the table at page 19, on request and for quantities.



Art.	L	I	B	M	H	h1	h2	Q	d1	Weight (gr)	F1 (N)	F2 (N)
B226094.TM0501AE	110	94	21	13	37	29	13	7	M5	23	4300	1300
B226094.TM0601AE	110	94	21	13	37	29	13	7	M6	23	4300	1300
B226117.TM0501AE	140	117	24	13	40	29	15	10	M5	43	4100	2800
B226117.TM0601AE	140	117	24	13	40	29	15	9	M6	43	4100	2800
B226117.TM0801AE	140	117	24	13	40	29	15	9	M8	43	4100	2800
B226120.TM0501AE	140	120	24	14	40	29	15	10	M5	43	6100	2800
B226120.TM0601AE	140	120	24	14	40	29	15	9	M6	43	6100	2800
B226120.TM0801AE	140	120	24	14	40	29	15	9	M8	43	6100	2800
B226132.TM0501AE	151	132	26	14	43	31	16	10	M5	70	7300	3500
B226132.TM0601AE	151	132	26	14	43	31	16	9	M6	70	7300	3500
B226132.TM0801AE	151	132	26	14	43	31	16	9	M8	70	3700	2800
B226180.TM0801AE	200	180	28	17	51	39	21	14	M8	88	3700	2800
B226235.TM0801AE	262	235	32	20	53	40	21	14	M8	123	4300	3200
B226235.TM1001AE	262	235	32	20	53	40	21	14	M10	123	4300	3200



BOTECA

ART. B236 AE

SELF-EXTINGUISHING VO SOLID HANDLE WITH THREADED INSERT

UL94-V0

MATERIAL:

Self-extinguishing reinforced polyamide UL94-V0 with yellow card. Oils and greases resistant.

SURFACE:

Satin.

COLOUR:

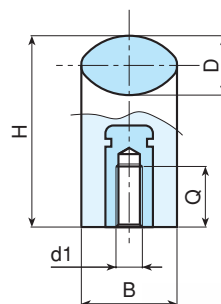
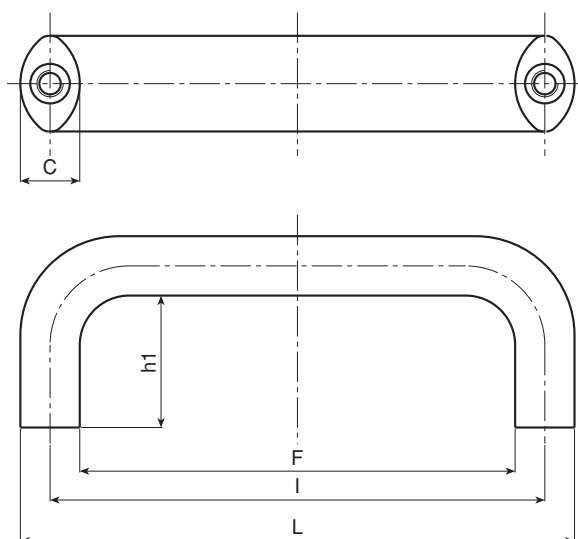
Black (RAL 9011).

MAIN INSERT:

Brass blind threaded bush.

SPECIAL REQUESTS:

- It is possible to supply the inserts in different materials, on request and for quantities.
- It is possible to supply colours as shown in the table at page 19, on request and for quantities.



Art.	L	I	F	B	C	D	H	h1	Q	d1	Weight (gr)	F1 (N)	F2 (N)
B236086.TM0501AE	98,5	86	73,5	20	12,5	12,5	40	28	10	M5	40	4000	1500
B236086.TM0601AE	98,5	86	73,5	20	12,5	12,5	40	28	9	M6	40	4000	1500
B236094.TM0501AE	106,5	94	81,5	20	12,5	12,5	40	28	10	M5	40	3300	1600
B236094.TM0601AE	106,5	94	81,5	20	12,5	12,5	40	28	9	M6	40	3300	1600
B236117.TM0501AE	134	117	102	25	16	16	50	34	10	M5	84	4400	1800
B236117.TM0601AE	134	117	102	25	16	16	50	34	9	M6	81	4400	1800
B236117.TM0801AE	134	117	102	25	16	16	50	34	14	M8	80	4400	1800
B236120.TM0501AE	134	120	102	25	16	16	50	34	10	M5	84	5200	2400
B236120.TM0601AE	134	120	102	25	16	16	50	34	9	M6	81	5200	2400
B236120.TM0801AE	134	120	102	25	16	16	50	34	14	M8	80	5200	2400
B236132.TM0501AE	148	132	116	25	16	16	50	34	10	M5	90	3700	2600
B236132.TM0601AE	148	132	116	25	16	16	50	34	9	M6	88	3700	2600
B236132.TM0801AE	148	132	116	25	16	16	50	34	14	M8	85	3700	2600
B236150.TM0601AE	168	150	132	29	18	18	58	40	15	M6	123	5900	1900
B236150.TM0801AE	168	150	132	29	18	18	58	40	14	M8	121	5900	1900
B236150.TM1001AE	168	150	132	29	18	18	58	40	14	M10	119	5900	1900
B236179.TM0801AE	197	179	161	29	18	18	58	40	14	M8	135	3800	3200
B236179.TM1001AE	197	179	161	29	18	18	58	40	14	M10	133	3800	3200



BOTECA

ART. B326

“EUROMODEL” BRIDGE HANDLE WITH THREADED INSERT

MATERIAL:

Reinforced polyamide.
Oils and greases resistant.

SURFACE:

Satin.

COLOUR:

Black (RAL 9011).

CENTRAL CAP:

Grey polyamide (RAL 7035 code 13).

ALTERNATIVE CAP COLOUR:

Orange (RAL 2004 cod. 02).
Blue (RAL 5015 cod. 07).
Yellow (RAL 1021 cod.10).
Red (RAL 3000 cod.16).
Green (RAL 6024 cod.17).
Black (RAL 9011 cod. 01).

MAIN INSERT:

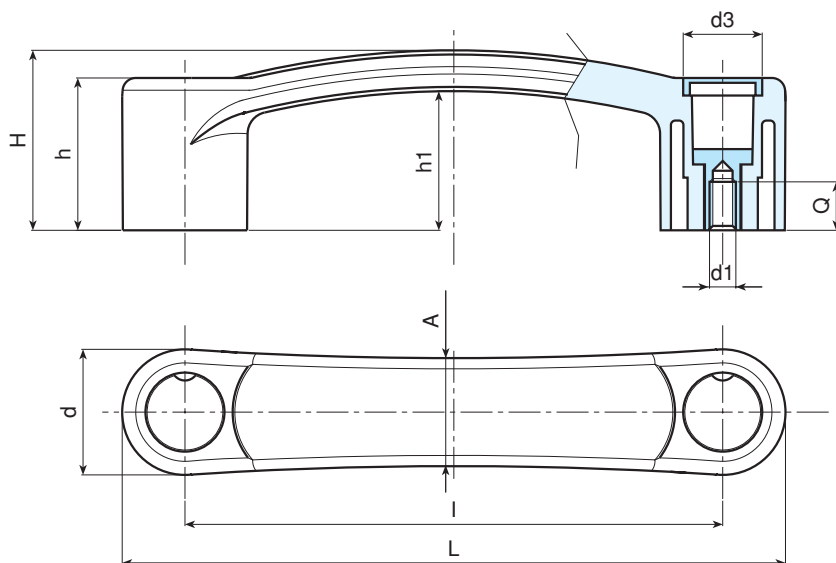
Brass blind threaded bush.

**PROTECTED
MODEL**



SPECIAL REQUESTS:

- It is possible to supply the inserts in different materials, on request and for quantities.
- It is possible to supply colours as shown in the table at page 19, on request and for quantities.



Art.	L	l	H	h	h1	A	d	d3	d1	Q	Weight (gr)	F1 (N)	F2 (N)
B326094.TM050113	118	94	37	33	30	21	24	16	M05	12	42	2000	2000
B326094.TM060113	118	94	37	33	30	21	24	16	M06	12	43	2000	2000
B326117.TM050113	145	117	40,5	34	31,5	24	28	18	M05	12	68	3400	2900
B326117.TM060113	145	117	40,5	34	31,5	24	28	18	M06	12	67	3400	2900
B326117.TM080113	145	117	40,5	34	31,5	24	28	18	M08	12	65	3400	2900
B326120.TM050113	148	120	40,5	34	31,5	24	28	18	M05	12	70	3500	1700
B326120.TM060113	148	120	40,5	34	31,5	24	28	18	M06	12	69	3500	1700
B326120.TM080113	148	120	40,5	34	31,5	24	28	18	M08	12	67	3500	1700
B326132.TM080113	160	132	43	36,5	34	24	28	18	M08	12	77	3500	2900
B326150.TM080113*	180	150	48	41	38	25	30	20	M08	12	76	-	-
B326179.TM080113*	209	179	53	44	41	25	30	20	M08	12	74	-	-

*planned



ART. B324

“EUROMODEL” BRIDGE HANDLE WITH THROUGH HOLE

MATERIAL:

Reinforced polyamide.
Oils and greases resistant.

SURFACE:

Satin.

COLOUR:

Black (RAL 9011).

CENTRAL CAP:

Grey polyamide (RAL 7035 code 13).

ALTERNATIVE CAP COLOUR:

Orange (RAL 2004 cod. 02).
Blue (RAL 5015 cod. 07).
Yellow (RAL 1021 cod.10).
Red (RAL 3000 cod.16).
Green (RAL 6024 cod.17).
Black (RAL 9011 cod. 01).

HOLE:

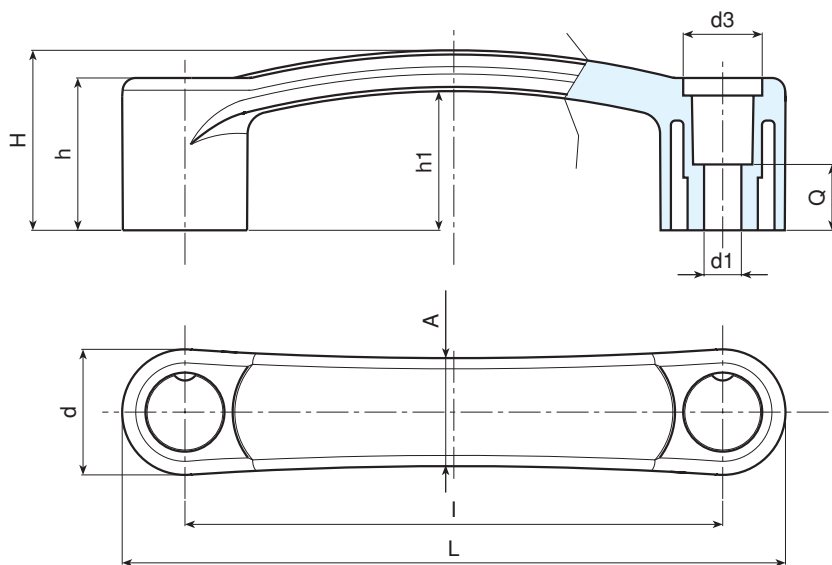
Smooth right through hole obtained by moulding the plastic.

PROTECTED MODEL



SPECIAL REQUESTS:

- It is possible to supply colours as shown in the table at page 19, on request and for quantities.



Art.	L	l	H	h	h1	A	d	d3	d1	Q	Weight (gr)	F1 (N)	F2 (N)
B324094.TG06.50113	118	94	37	33	30	21	24	16	6,5	14	37	2500	2000
B324117.TG06.50113	145	117	40,5	34	31,5	24	28	18	6,5	15	58	3700	3500
B324117.TG08.50113	145	117	40,5	34	31,5	24	28	18	8,5	15	57	3700	3500
B324120.TG06.50113	148	120	40,5	34	31,5	24	28	18	6,5	15	60	2900	3500
B324120.TG08.50113	148	120	40,5	34	31,5	24	28	18	8,5	15	59	2900	3500
B324132.TG08.50113	160	132	43	36,5	34	24	28	18	8,5	15	91	3200	3200
B324150.TG08.50113*	180	150	48	41	38	25	30	20	8,5	15	-	-	-
B324179.TG08.50113*	209	179	53	44	41	25	30	20	8,5	15	-	-	-

*planned

ART. B350

HANDLE WITH TUBE D.30 SILVER WITH VERTICAL ENDS

MATERIAL:

- (1) Reinforced polyamide support for tube.
Oils and greases resistant.
- (2) Anodised aluminium UNI 4321 tube.
- (3) Turned round aluminium insert with threaded hole M08 for fastening TCCE screw.
- (4) Black oxide treated screw TCCE M08x70 (DIN 912)
- (5) Winged snap-fit LDPE tube cap.

SURFACE FINISH:

- (1-5) Satin.
- (2) Shiny anodized.

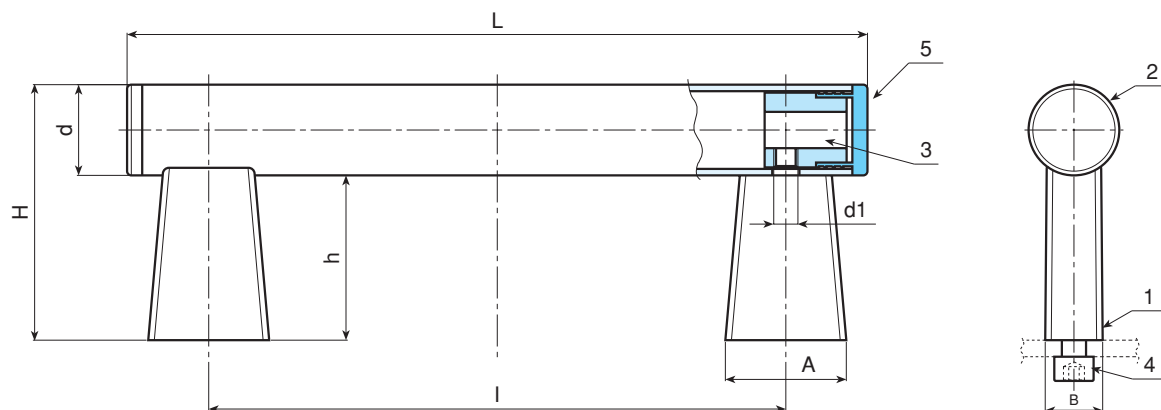
COLOURS:

- (1-5) Black (RAL 9011).
- (2) Anodized silver.

NOTE: The handle is supplied unassembled in single packs.

SPECIAL REQUESTS:

- None



Art.	I	L	D	H	h	A	B	d1	Weight (gr)
B350150.TG300199	150	206	30	85	55	40	19	M08	270
B350200.TG300199	200	256	30	85	55	40	19	M08	290
B350250.TG300199	250	306	30	85	55	40	19	M08	309
B350300.TG300199	300	356	30	85	55	40	19	M08	327
B350350.TG300199	350	406	30	85	55	40	19	M08	345
B350400.TG300199	400	456	30	85	55	40	19	M08	363
B350500.TG300199	500	556	30	85	55	40	19	M08	400
B350600.TG300199	600	656	30	85	55	40	19	M08	436
B350700.TG300199	700	756	30	85	55	40	19	M08	473



BOTECA

ART. B351

HANDLE WITH TUBE D.30 BLACK WITH VERTICAL ENDS

MATERIAL:

- (1) Reinforced polyamide support for tube. Oils and greases resistant.
- (2) Anodised aluminium UNI 4321 tube.
- (3) Turned round aluminium insert with threaded hole M08 for fastening TCCE screw.
- (4) Black oxide treated screw TCCE M08x70 (DIN 912).
- (5) Winged snap-fit LDPE tube cap.

SURFACE FINISH:

- (1-5) Satin.
- (2) Shiny anodized.

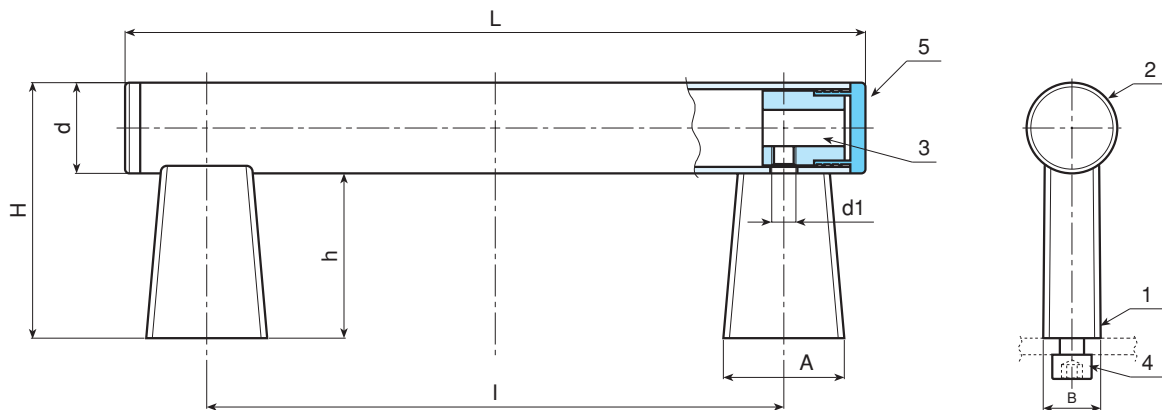
COLOURS:

- (1-5) Black (RAL 9011).
- (2) Anodized silver.

NOTE: The handle is supplied unassembled in single packs.

SPECIAL REQUESTS:

- None



Art.	I	L	D	H	h	A	B	d1	Weight (gr)
B351150.TG300198	150	196	30	85	55	40	19	M08	270
B351200.TG300198	200	246	30	85	55	40	19	M08	290
B351250.TG300198	250	296	30	85	55	40	19	M08	309
B351300.TG300198	300	346	30	85	55	40	19	M08	327
B351350.TG300198	350	396	30	85	55	40	19	M08	345
B351400.TG300198	400	446	30	85	55	40	19	M08	363
B351500.TG300198	500	546	30	85	55	40	19	M08	400
B351600.TG300198	600	646	30	85	55	40	19	M08	436
B351700.TG300198	700	746	30	85	55	40	19	M08	473



BOTECA

ART. B350 CIN

HANDLE WITH INOX TUBE D.30 WITH VERTICAL ENDS

INOX

MATERIAL:

- (1) Reinforced polyamide for support for tube.
Oils and greases resistant.
- (2) Tube on stainless steel AISI 303.
- (3) Turned round aluminium insert with threaded hole M08 for fastening TCCE screw.
- (4) Stainless steel screw TCCE M08x70 AISI 303 (DIN 912).
- (5) Winged snap-fit LDPE cap.

SURFACE FINISH:

- (1-5) Satin.
- (2) Glossy.

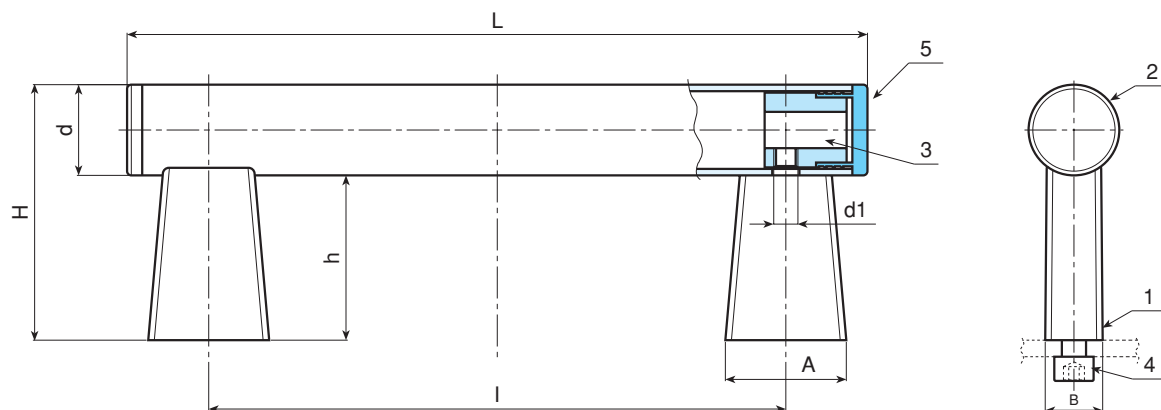
COLOURS:

- (1-5) Black (RAL 9011).
- (2) Natural steel.

NOTE: The handle is supplied unassembled in single packs.

SPECIAL REQUESTS:

- None



Art.	I	L	D	H	h	A	B	d1	Weight (gr)
B350150.TG3001CIN	150	206	30	85	55	40	19	M08	395
B350200.TG3001CIN	200	256	30	85	55	40	19	M08	447
B350250.TG3001CIN	250	306	30	85	55	40	19	M08	500
B350300.TG3001CIN	300	356	30	85	55	40	19	M08	550
B350350.TG3001CIN	350	406	30	85	55	40	19	M08	602
B350400.TG3001CIN	400	456	30	85	55	40	19	M08	654
B350500.TG3001CIN	500	556	30	85	55	40	19	M08	756
B350600.TG3001CIN	600	656	30	85	55	40	19	M08	862
B350700.TG3001CIN	700	756	30	85	55	40	19	M08	966



BOTECA

ART. B330 CIN

HANDLE WITH INOX TUBE D.30

INOX

PLASTIC END BRACKET MATERIAL:

Reinforced polyamide.
Oils and greases resistant.

TUBE MATERIAL:

Stainless steel (AISI 303).

PLASTIC END BRACKET SURFACE:

Satin.

TUBE SURFACE:

Glossy.

PLASTIC END BRACKET COLOUR:

Black (RAL 9011).

TUBE COLOUR:

Natural steel.

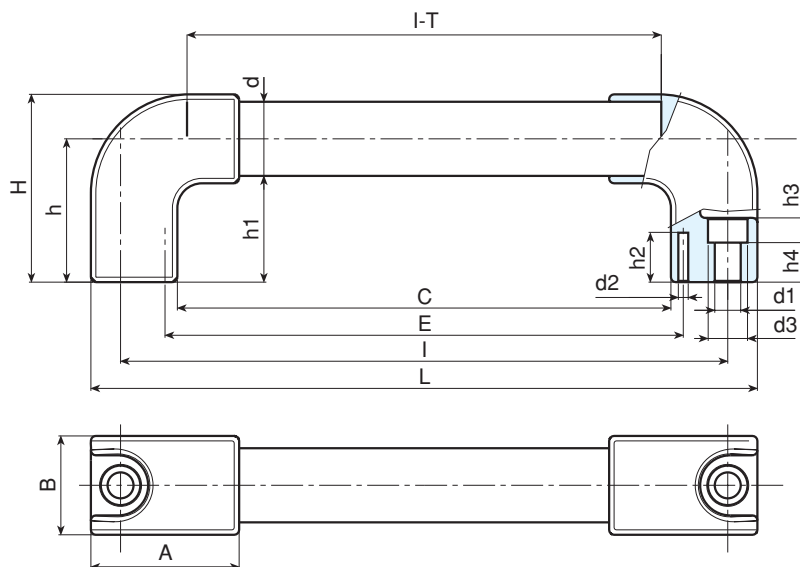
HOLE:

Smooth right through hole obtained by moulding the plastic.



SPECIAL REQUESTS:

- It is possible to supply the handle with different lengths, on request and for quantities.
- It is possible to supply the plastic end bracket with colours shown in the table at page 19, on request and for quantities.



Art.	L	I	C	E	A	B	T	H	h	h1	h4	h3	h2	d	d1	d3	d2	Weight (gr)	F1 (N)	F2 (N)
B330200.TG3001CIN	224	200	154	164	60	40	54	77	58	43	16	11	19	30	10,5	16	4	235	3400	2900
B330250.TG3001CIN	274	250	204	214	60	40	54	77	58	43	16	11	19	30	10,5	16	4	250	3800	3200
B330300.TG3001CIN	324	300	254	264	60	40	54	77	58	43	16	11	19	30	10,5	16	4	270	3200	2900
B330350.TG3001CIN	374	350	304	314	60	40	54	77	58	43	16	11	19	30	10,5	16	4	285	2700	2400
B330400.TG3001CIN	424	400	354	364	60	40	54	77	58	43	16	11	19	30	10,5	16	4	305	2400	2200
B330500.TG3001CIN	524	500	454	464	60	40	54	77	58	43	16	11	19	30	10,5	16	4	340	1900	1700
B330600.TG3001CIN	624	600	554	564	60	40	54	77	58	43	16	11	19	30	10,5	16	4	370	1600	1400
B330700.TG3001CIN	724	700	654	664	60	40	54	77	58	43	16	11	19	30	10,5	16	4	405	1400	1250



BOTECA



BOTECO Spa
www.boteco.it

36010 ZANÈ (VI) ITALY - Via L. Pettinà, 16 (side street of Via Cuso)
P.O. BOX 63 36010 Zanè
Switchboard Tel. ++39-0445.316411 - Fax ++39-0445.316400
Sales Office Fax ++39-0445.316401
Administration Fax ++39-0445.316402
E-Mail: boteco@boteco.it
sales@boteco.it - administration@boteco.it
tecnico@boteco.it

AUTHORISED RESELLER

